

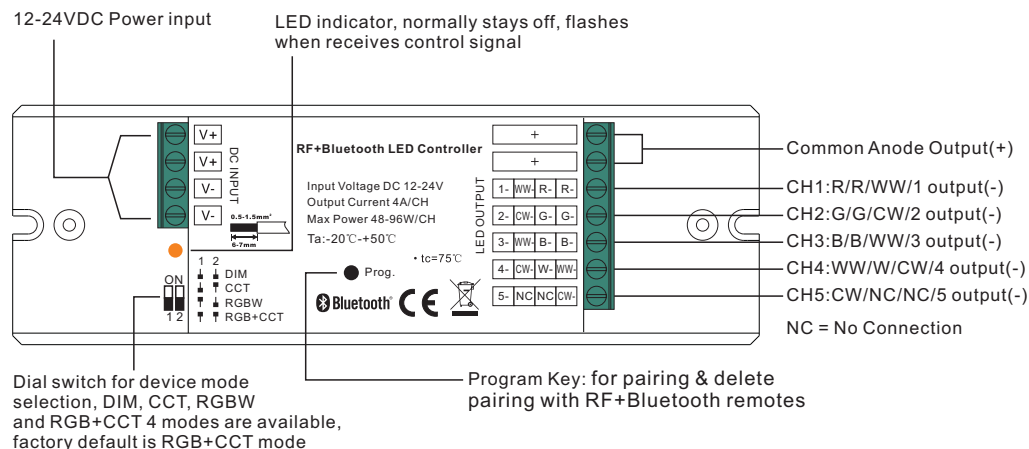
4 in 1 Universal RF+Bluetooth LED Controller

70200007



Important: Read All Instructions Prior to Installation

Function introduction



Product Data

Input Voltage	Output Current	Output Power	Remarks	Size(LxWxH)	Ambient Temperature	Max. Casing Temperature
12-24VDC	4A/CH	48-96W/CH	Constant voltage	145x46.5x16mm	-20°C ~ +50°C	75°C

- 4 in 1 universal RF+Bluetooth LED controller, radio frequency: 2.4GHz
- 4 different device modes DIM, CCT, RGBW and RGB+CCT in 1 controller, and selectable by dial switch
- Enables to control ON/OFF, light intensity, color temperature, RGB color of connected LED lights
- Ultra powerful to control Single Color, CCT, RGBW, RGB+CCT LED strips
- Controlled through both smart App and remote controls, no gateway required for local control
- Easy & quick pairing to the smart App by simply pushing the Prog. button
- Mesh network, much longer control distance, transmits received signal to neighbor devices
- Up to 30m transmission distance between every two neighbor devices
- Encrypted two-way communication, quick status feedback, safe & reliable data transmission
- Compatible with universal RF+Bluetooth remotes, each LED controller can pair to max. 8 remotes
- Cloud control is available for remote access, works with Amazon Alexa and Google Home
- Waterproof grade: IP20

Safety & Warnings

- DO NOT install with power applied to device.
- DO NOT operate the dial switches for device mode selection with power applied to device.
- DO NOT expose the device to moisture.

Operation

Pair/delete the pairing with RF+Bluetooth remote

1. Do wiring according to connection diagram.
2. Pair LED controller with RF+Bluetooth remote: please refer to the instruction of the remote that you would like to pair with.
3. Delete the pairing:
 - (1) Wire up the LED controller correctly, power on.
 - (2) Press and hold down the “Prog.” button on the controller for over 3 seconds (or reset power of the device 8 times continuously if the button is not accessible to factory reset the device) until the connected light flashes, which means well deleted.

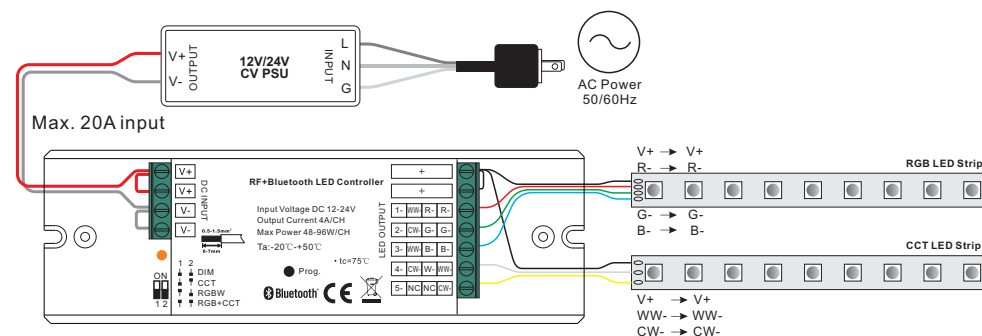
Note: factory resetting will restore all configured parameters of the device on the APP to factory default setting.

Pair with smart APP

1. Do wiring according to connection diagram.
2. Please refer to the **EasyThings** App user manual for details of adding device.

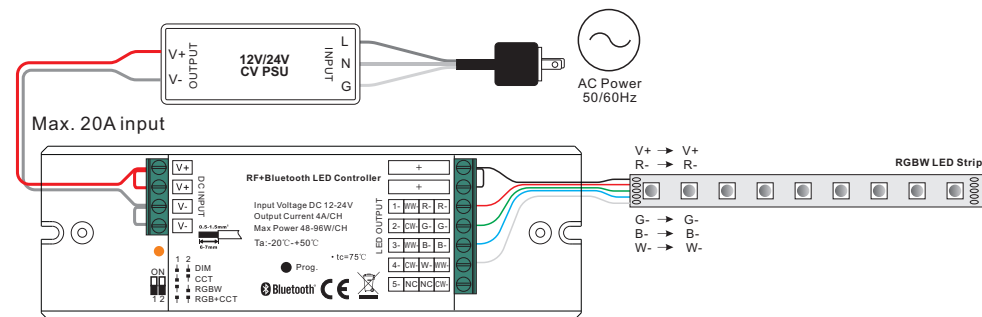
Wiring Diagram

1) RGB+CCT Mode



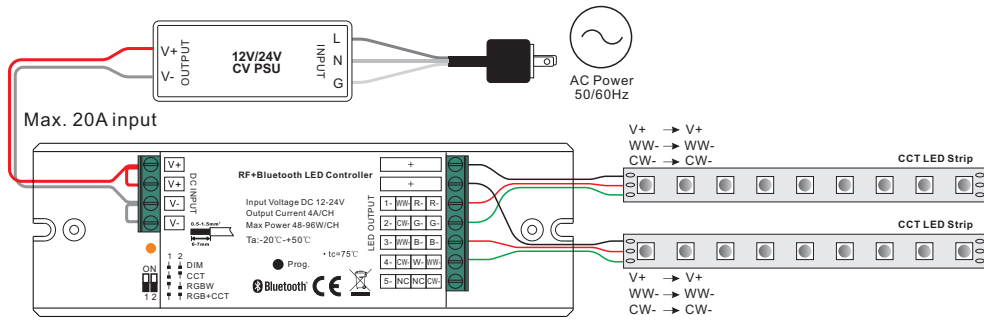
Note: please make sure the dial switches are at position for RGB+CCT mode as shown in above diagram.

2) RGBW Mode



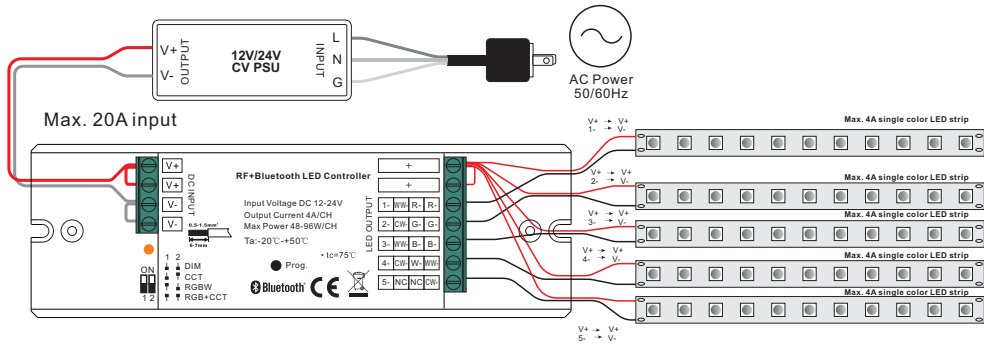
Note: please make sure the dial switches are at position for RGBW mode as shown in above diagram.

3) CCT Mode



Note: please make sure the dial switches are at position for CCT mode as shown in above diagram.

4) DIM Mode



Note: please make sure the dial switches are at position for DIM mode as shown in above diagram.

Product Dimension

