

PHILIPS



Sensors

EasyAir

2B, 4B switches



Datasheet

Philips EasyAir Switches

Philips EasyAir 2B and Philips EasyAir 4B switches are wireless switches working together with EasyAir SNS210 MC, EasyAir SNH(B)210 MC, EasyAir SNS200 or EasyAir SNH200 sensors.

- Easy to install and maintenance-free
- No wiring or power connections
- No battery needed
- Low mechanical force needed to operate devices

Ordering Information

| Commercial product name | Colour | Description | EOC | 12NC | Carton Quantity |
|---------------------------|--------|-------------|-----------------|----------------|-----------------|
| Philips EasyAir 4B switch | White | 4 button | 871951428077900 | 9290 028 21806 | 10 |
| Philips EasyAir 2B switch | White | 2 button | 871951428079300 | 9290 028 21906 | 10 |

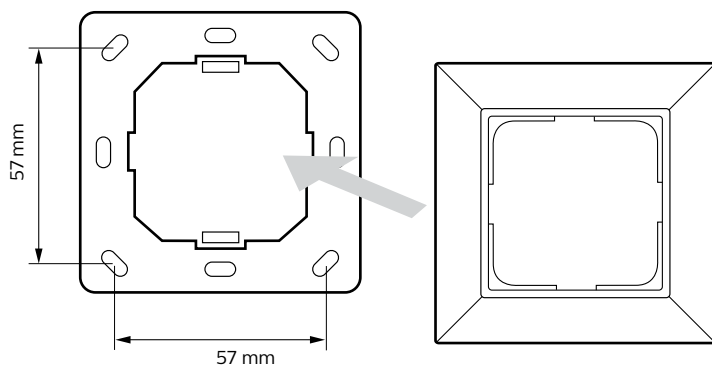
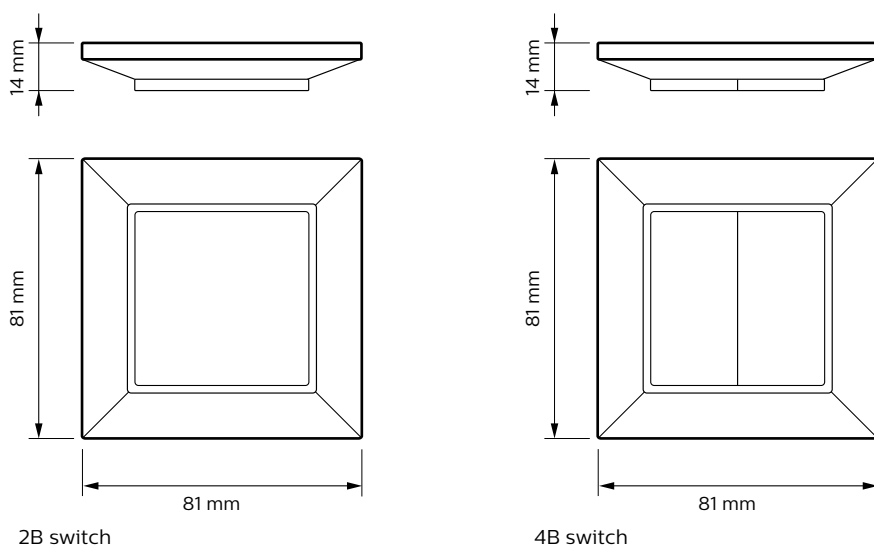
Product data

| | |
|-------------------------------------|--------------------------------------------------------------------------|
| Switch functions | on/off, dimming, scene setting (4B switch only) |
| Range | within one room (up to 10m line of sight) |
| Overall dimensions | 81mm x 81mm x 14mm |
| Net weight per piece | 58 g |
| Mounting | gluing (double-sided mounting film enclosed), screwing onto flat surface |
| Energy source | electro-dynamic energy generator, maintenance free |
| Frequency | 2.4 GHz / ZigBee Green Power (ZGP) |
| Lifetime | > 50.000 actuations (switching cycles) according to EN 60669 / VDE 0632 |
| Operating Ambient Temperature Range | -25 °C to 65 °C |
| Operating Humidity | 0 ... 95% r.h., non-condensing (dry environment only) |
| Agency Approbations | CE, RED, FCC, IC |
| Radio compliance | the radio equipment is in compliance with Directive 2014/53/EU. |
| Warranty | 1 year warranty |

Compatible sensors

| | |
|----------------|---------------------|
| 9290 007 66803 | EasyAir SNS200/w |
| 9290 005 60703 | EasyAir SNS200/g |
| 9290 016 51206 | EasyAir SNS200/b |
| 9290 007 90206 | EasyAir SNS200CMP |
| 9290 016 25706 | EasyAir SNH200 |
| 9290 034 12306 | EasyAir SNS210/w MC |
| 9290 034 12406 | EasyAir SNS210/g MC |
| 9290 034 12506 | EasyAir SNS210/b MC |
| 9290 028 32206 | EasyAir SNH210 MC |
| 9290 028 32306 | EasyAir SNHB210 MC |

Dimensional drawings



For mounting see Installation Instructions

The rocker of the switch should not be removed. It can result in malfunction.



© 2023 Signify Holding. All rights reserved. The information provided herein is subject to change, without notice. Signify does not give any representation or warranty as to the accuracy or completeness of the information included herein and shall not be liable for any action in reliance thereon. The information presented in this document is not intended as any commercial offer and does not form part of any quotation or contract, unless otherwise agreed by Signify.

www.lighting.philips.co.uk/oem-emea/products/connected-lighting

Philips and the Philips Shield Emblem are registered trademarks of Koninklijke Philips N.V. All other trademarks are owned by Signify Holding or their respective owners.
UK importer address: 3 Guildford Business Park, GU2 8XG

02/2023
Data subject to change