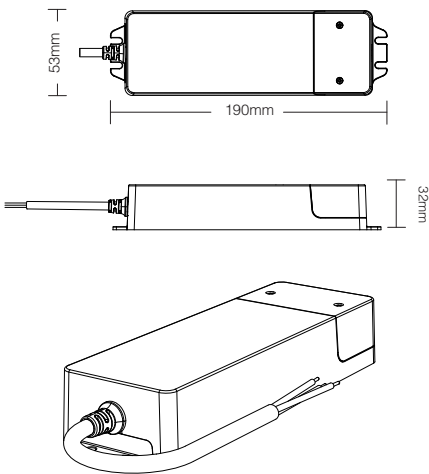


1. Product feature

Controller adopt the widely used 2.4GHz wireless technology with the features of low power consumption, long signal transmitting and strong anti-interference, etc. Controller has auto-transmitting and auto-synchronizing function. Widely used on the controlling of hotel lighting and home lighting.



75W Dimming LED Driver
Model No.: CL3P75V24

75W RGB Dimming LED Driver

Model No.: CL3P75V24

Input: 100-240V~ 50/60Hz

Output Voltage: 24V ---

Output Current: Max 3A

ta: 40°C tc: 85°C

RF: 2.4GHz

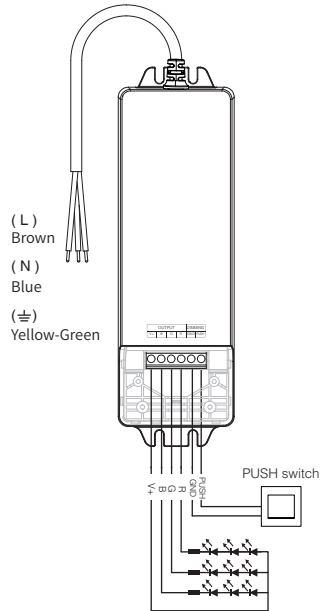
Control Distance: 30m

-  16 Millions of colors to choose
-  Mix Red, Green and Blue light to adjust color temperature
-  Dim brightness / saturation
-  2.4G RF wireless transmission technology
-  Remote control
Control distance 30m
-  Smartphone App control
(2.4GHz gateway is needed)
-  Support third party voice control (2.4GHz gateway is needed)

Connection Diagram

75W RGB Dimming LED Driver

Input: 100-240V~



2. Link Code / Unlink Code with remote

2.1 Link code

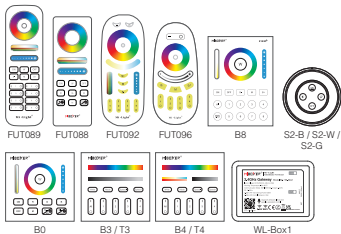
- (1) Making dimming LED driver to enter Link code / Unlink code mode:
Switch off dimming LED driver, switch on again after 10 seconds.
- (2) Short press zone " | " or " ON " 3 times on remote within 3 seconds, light blinking 3 times slowly means the linking is done successfully.

Note: The " ON " key for FUT089 remote don't support to link code.

2.2 Unlink code

- (1) Making dimming LED driver to enter Link code / Unlink code mode:
Switch off dimming LED driver, switch on again after 10 seconds.
- (2) Short press zone " | " or " ON " 5 times on remote within 3 seconds, light blinking 10 times quickly means the unlinking is done successfully.

2.3 Compatible with following remote controls (Purchase separately)



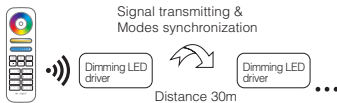
3. Auto-transmitting & Synchronization

3.1. Signal transmitting

Dimming LED driver can transmit the signals from the remote control to another one within 30m, as long as there is dimming LED driver within 30m, the remote control distance is unlimited.

3.2. Modes synchronization

Different dimming LED drivers can work synchronously when they are started at different times, controlled by the same remote, under same dynamic mode and within 30m distance.



4. Dynamic mode selection

4.1. Select dynamic mode table 1 :

Dimming LED driver is powered off for 10 seconds and then powered on, or short " SET " button one time. Press the " S+ " button 5 times within 3 seconds, the blue light blink 3 times slowly, selection is done successfully.

4.2. Select dynamic mode table 2 :

Dimming LED driver is powered off for 10 seconds and then powered on, or short " SET " button one time. Press the " S- " button 5 times within 3 seconds, the yellow light blink 3 times slowly, selection is done successfully.

4.3. Dynamic mode table 1(default in factory)

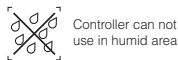
Number	Dynamic Mode	Brightness / Saturation / Speed
1	Mardi Gras	Adjustable
2	Automatic color change	
3	Sam	
4	Gemstone	
5	Twilight	
6	American	
7	Fat Tuesday	
8	Party	
9	Slow Color Splash	

4.4. Dynamic mode table 2 (need to switch manually)

Number	Dynamic Mode	Brightness / Saturation / Speed
1	Colors gradual change	Adjustable
2	White light Gradual change	
3	RGB gradual change	
4	Seven colors jump to change	
5	Jump to change randomly	
6	Red light gradual change +Flash 3 times	
7	Green light gradual change +Flash 3 times	
8	Blue light gradual change +Flash 3 times	
9	White light gradual change +Flash 3 times	

5. Attention

- 5.1. Please check whether the voltage of the power supply is in accordance with the dimming LED driver, and please check the connection of both the cathode and anode, otherwise the controller will be broken.
- 5.2. Please do not use the controller in the place with widely range metal area or strong electromagnetic wave nearby, otherwise, the remote distance will be affected seriously.
- 5.3. Non-professional users are not allowed to disassemble the equipment directly, otherwise the equipment may be damaged.



Made in China

